

LC SIMPLEX APC SINGLEMODE OPTICAL PLUG
 FOR Ø2.0 MM ULTRA TIGHT CABLE

 Packaging
 1

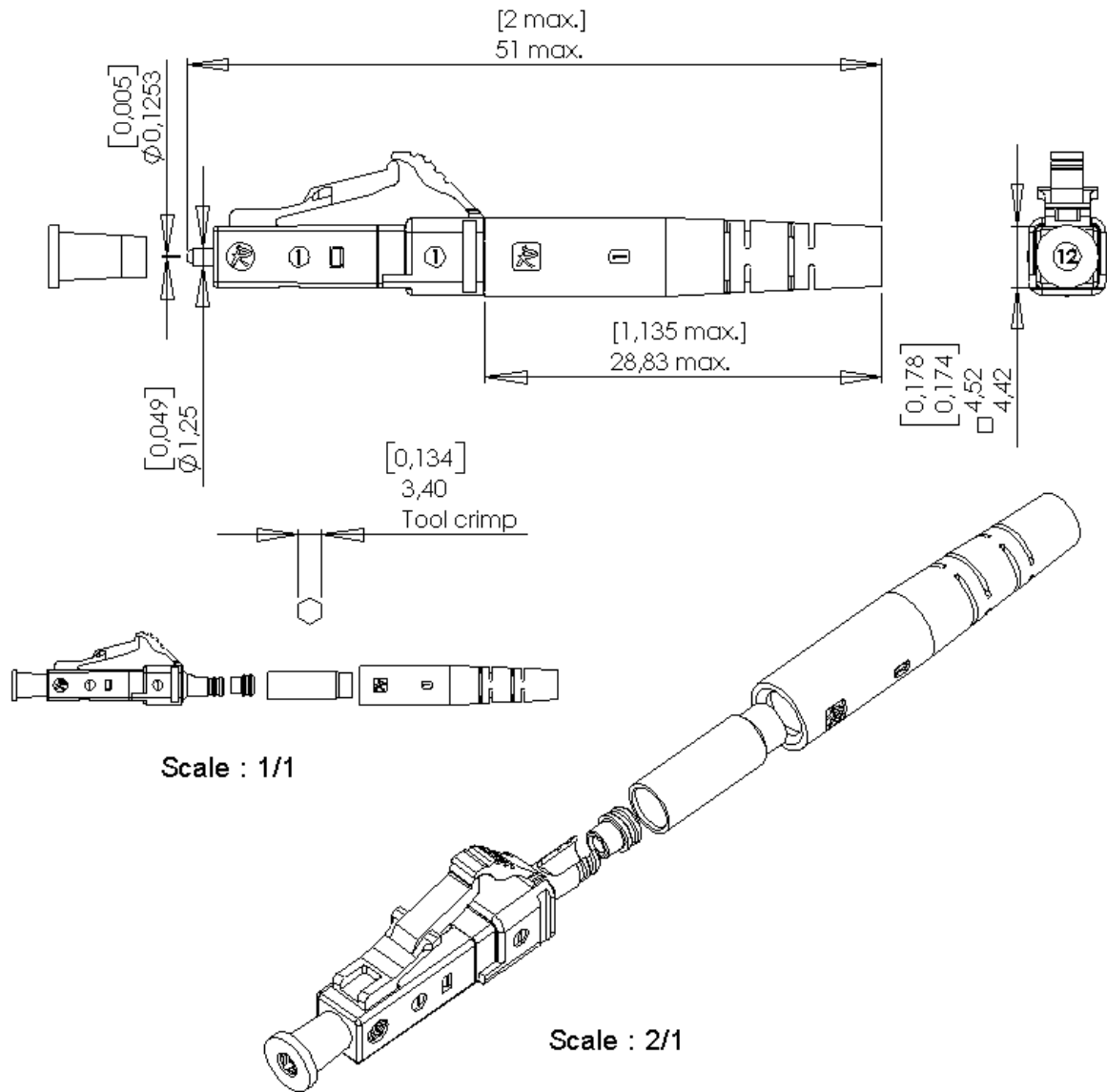
 Series
 LC

 Issue
 14 jan. 05

 Page
 1 / 2

Outer plug body : color GREEN

Monobloc



Original dimensions in mm [inch]

LC SIMPLEX APC SINGLEMODE OPTICAL PLUG
FOR Ø2.0 MM ULTRA TIGHT CABLE

Packaging
1

Series
LC

Issue
14 jan. 05

Page
2 / 2

Outer plug body : color GREEN

Monobloc

GENERAL

- ❑ **TYPE** IEC 61754-20 (LC)
Singlemode Zirconia Ø1.25 mm ferrule
RJ -45 latching connector system
- ❑ **FERRULE SIZE** 125.3 µm
- ❑ **FIBER SIZE** 9/125µm singlemode
- ❑ **CABLE SIZE & TYPE** Ø1.7 - 2.2 mm Ultra Tight (buffer/jacket) structure
ABS0963-003LF
- ❑ **CABLING PROCEDURE** Refer to 503.08.610 assembly instruction manual

CHARACTERISTICS (Depending on fibre or cable construction)

- ❑ **OPTICAL** Attenuation at 1300 nm and 1550 nm
Attenuation plug mated with reference plug : IEC 61300-3-4 Method B

PARAMETER	STD
Mean	≤0.15 dB
Standard deviation	≤0.10 dB

Return-Loss Maximum loss variation : IEC 61300-3-6

RL	
APC	> 60

- ❑ **MECHANICAL**
 - Vibration test 50 to 2000 Hz, 0.2g²/Hz, 16.4 grms, 8 Hr/axis
 - Impact test 1,5 m drop , 8 cycles
 - Mechanical Endurance 200 matings
 - Cable retention 68 N
- ❑ **ENVIRONMENTAL**
 - Temperature range (storage/operating) -40°C to +85°C / -28°C to +65°C (M85045/16 NAVY)
 - Temperature range (storage/operating) -55°C to +125°C / -55°C to +125°C NEXANS 132664
 - Humidity/Condensation cycling test 95% RH, -10°C to +65°C, 14cycles, 168 Hr

Other cable available please take contact with us for more details.

(Performance and specification : see document GEN – F727 001)